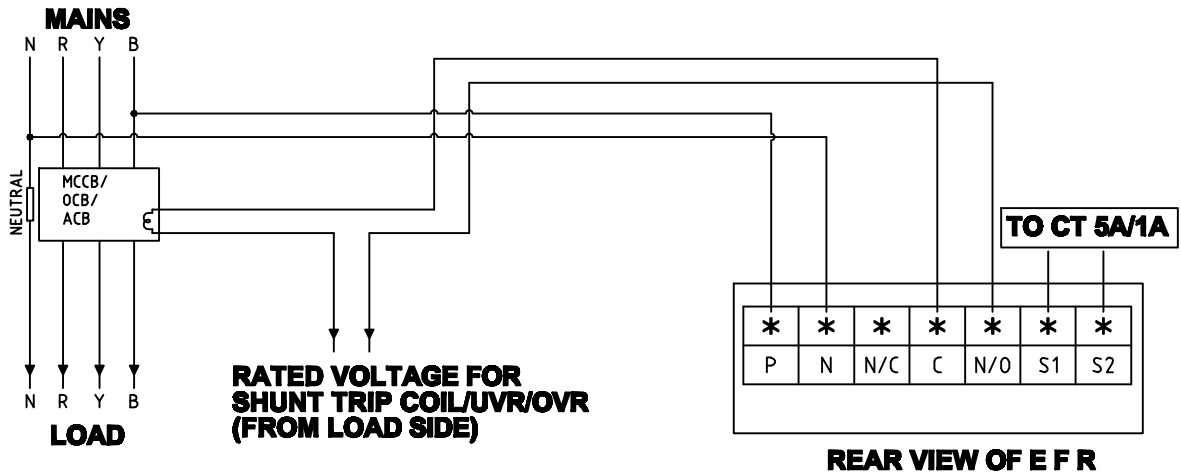


**WIRING DIAGRAM : FLUSH MOUNTING SOLID STATE EARTH FAULT RELAY-EFSPL-SERIES**

**3Ø, 50Hz AC SUPPLY**



**NOTE 1: IT IS DESIRABLE TO DERIVE AUXILIARY VOLTAGES/SUPPLY USING SEPARATE AUXILIARY TRANSFORMER FROM MAINS, OF SUITABLE RATING.**

**NOTE 2: FOR SHUNT RELEASE CONNECT "C" & "N/O" CONTACTS FOR UV RELEASE OR CONTACTOR COIL CONNECT "C" & "N/C" CONTACTS SHOWING IN HEALTHY CONDITION**