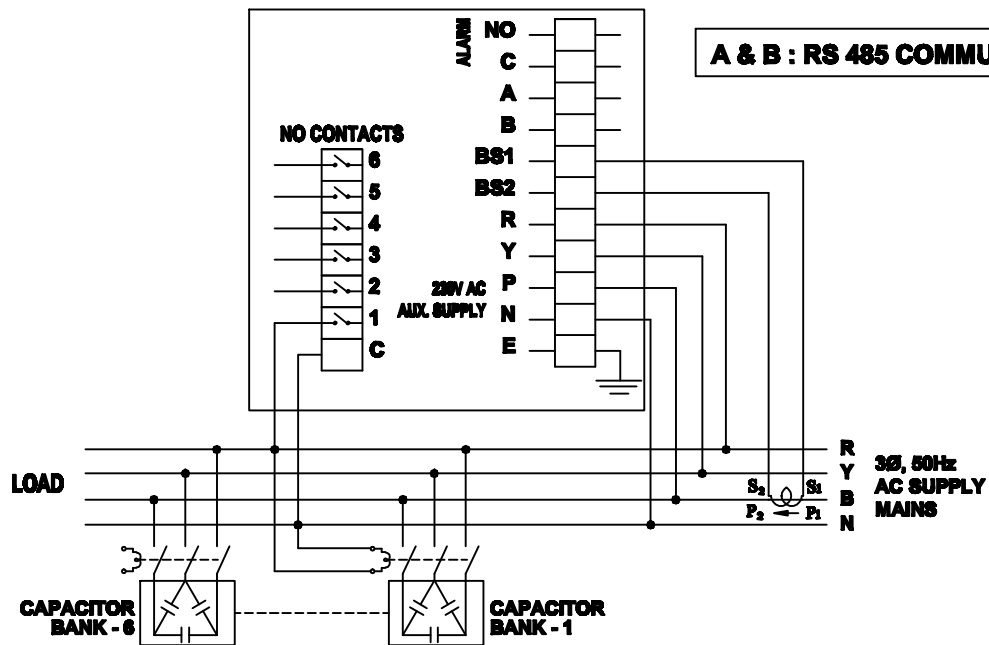


WIRING DIAGRAM :INTELLIGENT POWER FACTOR CORRECTION RELAY



NOTE 1: IT IS DESIRABLE TO DERIVE AUXILIARY VOLTAGES/SUPPLY USING SEPERATE AUXILIARY TRANSFORMER FROM MAINS, OF SUITABLE RATING.