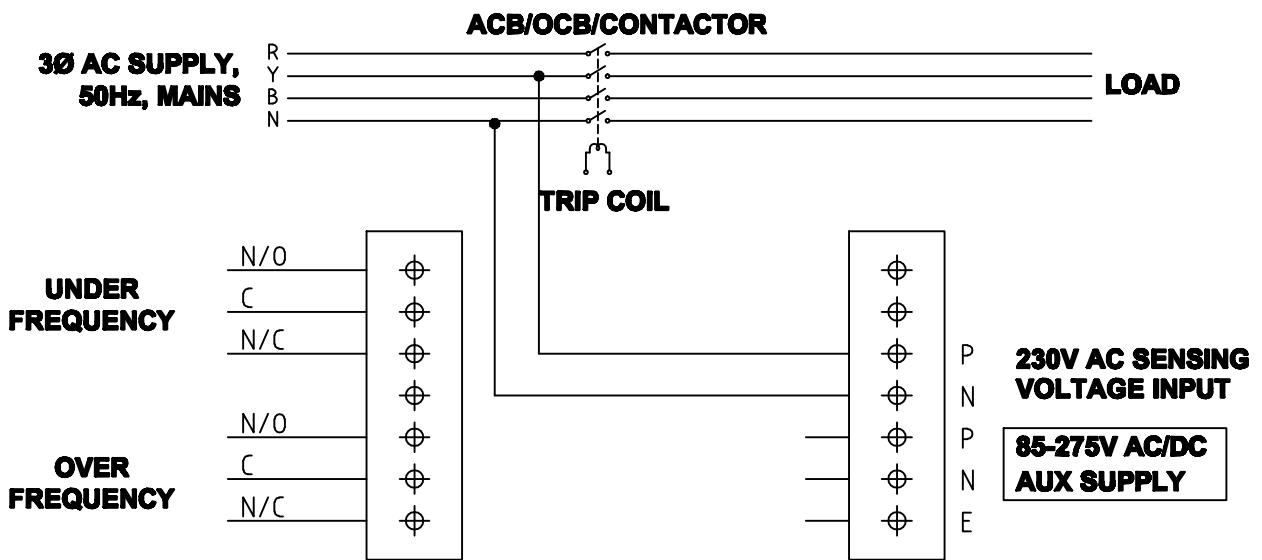


WIRING DIAGRAM :HI-LO FREQUENCY RELAY



**NOTE: FOR SHUNT RELEASE CONNECT "C" & "N/O" CONTACTS
FOR UV RELEASE OR CONTACTOR COIL CONNECT "C" & "N/C"
CONTACTS SHOWING IN HEALTHY CONDITION**